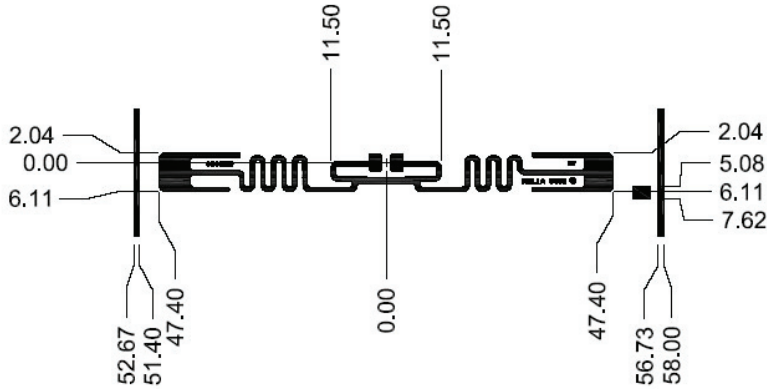
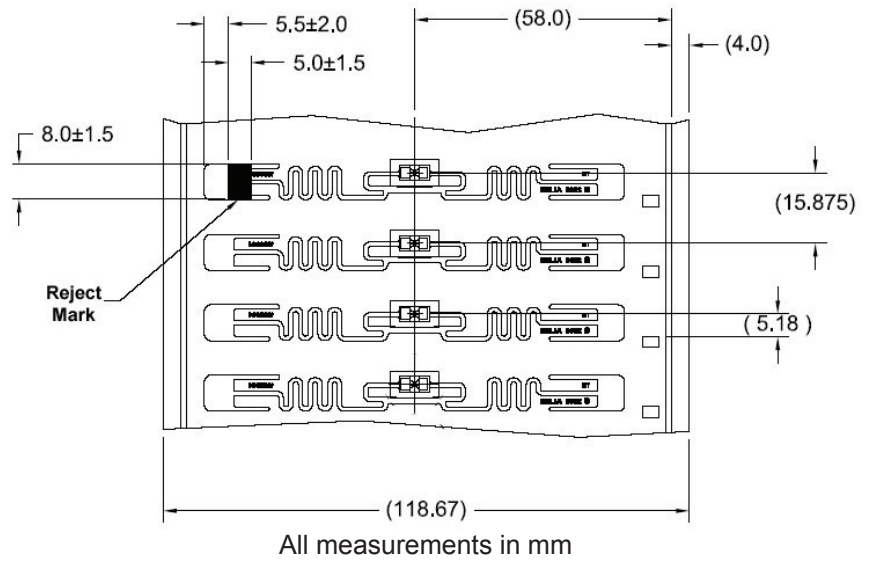


## ANTENNA MEASUREMENTS



All measurements in mm

## INLAY WEB LAYOUT



All measurements in mm

## INLAY ROLL

### INLAY ROLL PROPERTIES

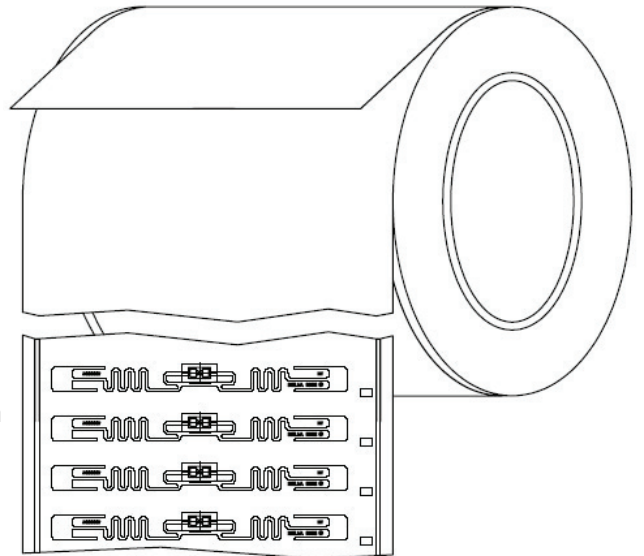
Roll Quantity = 20,000 Inlays ( $\pm 10\%$ )

All rolls are labeled with the following:

- Testing Date
- Roll Number
- Quantity of Good Parts

### Roll Properties

- Core Length = 127.0 mm
- Thickness =  $6.35 \pm .3$  mm
- Inner Diameter =  $152.4 (+3.8, -1.2)$  mm
- Leader and Interleaf Width =  $114.3 \pm 1.5$  mm
- Leader Length =  $4000 \pm 400$  mm
- Interleaf Material: Parchment



ALIEN.

Alien Technology  
18220 Butterfield Blvd.  
Morgan Hill, CA 95037  
866-RFID NOW

[www.alientechnology.com](http://www.alientechnology.com)

Copyright © 2006 Alien Technology Corporation. All rights reserved.